

Identification of a mutation in the ubiquitin-fold modifier 1-specific peptidase 2 gene, *UFSP2*, in an extended South African family with Beukes hip dysplasia

C M Watson,¹ BSc, PhD; L A Crinnion,¹ BSc; L Gleghorn,² BSc, PhD; W G Newman,³ PhD, FRCP; R Ramesar,⁴ BSc, MSc, MBA, PhD; P Beighton,⁴ OMB, MD, PhD, FRCP, FRSSA; G A Wallis,² BSc, MA, PhD

¹Yorkshire Regional Genetics Service and School of Medicine, University of Leeds, St James's University Hospital, Leeds, UK

²Wellcome Trust Centre for Cell-Matrix Research, University of Manchester, Manchester, UK

³Centre for Genomic Medicine, Manchester Academic Health Science Centre, University of Manchester and Central Manchester University Hospitals NHS Foundation Trust, Manchester, UK

⁴MRC Human Genetics Research Unit, Division of Human Genetics, Institute for Infectious Diseases and Molecular Medicine, Faculty of Health Sciences, University of Cape Town, South Africa

Corresponding author: C M Watson (*c.m.watson@leeds.ac.uk*)

Background. Beukes hip dysplasia (BHD) is an autosomal dominant disorder of variable penetrance that was originally identified in a large South African family of European origin. BHD is characterised by bilateral dysmorphism of the proximal femur, which results in severe degenerative osteoarthropathy. Previous studies mapped the disorder to a 3.34 Mb region on chromosome 4q35.

Objective. To fine-map the BHD locus and identify the disease-causing mutation by direct sequencing.

Results. The linked BHD allele was refined to 1.33 Mb, reducing the number of candidate genes from 25 to 16. Analysis of protein coding and invariant splice-site sequences in three distantly related individuals identified a single-candidate disease-causing variant c.868T>C within exon 8 of the ubiquitin-fold modifier 1 (Ufm1)-specific peptidase 2 gene, *UFSP2*. The presence of this unique mutation was confirmed in all 17 affected members of the BHD family who were genotyped. The mutation segregated with the BHD phenotype in the extended family with a two-point (single marker) LOD score of 10.4 ($\theta = 0.0$ and 80% penetrance). The mutation predicts the substitution of a highly conserved amino acid, p.Tyr290His, in the encoded protein. *In vitro* functional assays performed using purified recombinant wild-type and mutant *UFSP2* protein demonstrated that the BHD mutation abolishes *UFSP2*-mediated C-terminal cleavage of its substrate, Ufm1.

Conclusion. We report a unique *UFSP2* mutation that segregates with the BHD phenotype. The predicted amino acid substitution inactivates *UFSP2* proteolytic function, thus implicating the ubiquitin-fold modifier 1 cascade in this form of severe hip osteoarthropathy. The facile polymerase chain reaction-based assay we describe could be used to confirm the diagnosis of BHD, or for presymptomatic testing of members of the extended BHD family.

S Afr Med J 2015;105(7):558-563. DOI:10.7196/SAMJnew.7917



Skeletal development is controlled by extracellular matrix synthesis and deposition in combination with a complex regulatory network of cellular differentiation. Understanding these processes has been aided by mapping human disease genes, which have revealed fundamental insights into a number of the biological mechanisms underlying skeletogenesis. To date, more than 450 skeletal conditions have been identified and classified based on molecular, biochemical and/or radiographic criteria.^[1] One such disorder is Beukes hip dysplasia (BHD) (OMIM #142669), a rare autosomal dominant condition that was originally identified in a large, multigeneration South African (SA) family of European descent.^[2] BHD is characterised by severe progressive degenerative osteoarthritis (OA) of the hip joint in early adulthood. The condition is unique in that the underlying dysplasia and subsequent OA are confined to this region. Affected individuals are of normal stature and have no associated health problems. As described in detail previously, symptoms of hip joint discomfort usually develop in infancy or later childhood, but in a single individual initial presentation was as late as 35 years of age.^[2] Phenotypic expression is age-related and variable in severity. The penetrance of this disorder is incomplete and has been estimated to be 80%. The earliest primary radiographic features of BHD include bilateral shortening and broadening of the femoral

neck, delayed appearance of the secondary ossification centre, coxa vara, displacement of the femoral head in the acetabulum, and overgrowth of the greater trochanters. Following onset of symptoms, the characteristic signs of secondary OA (including bone sclerosis, cyst formation and narrowing of the joint space) develop and the joint deteriorates rapidly. We have previously mapped the BHD locus to a 3.34 Mb region of chromosome 4q35.^[3] This locus has not been linked to other forms of familial acetabular dysplasia, indicating that BHD is a distinct disorder.^[4,5]

To reduce the complexity of disease gene identification, we fine-mapped the chromosome 4q35 locus with polymorphic DNA markers. A combined Sanger and next-generation sequencing approach was used to screen coding and invariant splice-site sequences located within the linked interval for candidate pathogenic mutations. The development of 'next-generation sequencing' has accelerated the identification of disease-causing variants. This technology enables millions of DNA fragments covering all known protein coding and splice-site sequences of multiple individuals to be sequenced in a single experiment. This is typically achieved following a targeted enrichment reaction in which a sheared genomic DNA sample is hybridised to a pool of RNA baits that are complementary to the genomic region of interest. Through the application of this technology, we were able to confirm the presence of a single-

candidate disease-causing variant within the BHD locus, which we subsequently characterised *in vitro*.

Methods

Archived DNA samples (extracted from blood samples obtained following informed consent for the purpose of molecular genetic analysis) were available from earlier investigations of the family, as reported previously.^[3] A standard salting-out protocol was used to extract DNA from peripheral blood lymphocytes of 40 family members.

Fine-mapping the BHD locus

Microsatellite sizing and restriction fragment polymorphism genotyping of markers D4S1535 (Chr4: 185 235 750 - 185 236 098) and rs7663196 (Chr4: 186 570 521) was performed on members of the BHD family (Applied Biosystems, UK). Primer sequences are available on request. Two-point LOD scores were calculated using Linkage v5.1 (<http://www.jurgott.org/linkage/LinkagePC.html>).

Mutation screening and bioinformatic analysis

Comprehensive mutation screening of coding and flanking intron bases of three genes within the linked locus, *CASP3*, *LRP2BP* and *UFSP2*, was initially undertaken by Sanger sequencing (further details available on request). With the ubiquitous availability of

next-generation sequencing, three distantly related individuals (VII:9, VII:10 and VI:24) were then selected for exome sequencing. Approximately 3 µg of genomic DNA was sheared using a Covaris S2 (Covaris Inc., USA) before standard whole-genome library preparation was performed, following the manufacturer's protocols throughout (Agilent Technologies, UK). Two enrichment polymerase chain reaction (PCR) reactions were necessary to obtain the required mass of genomic library for enrichment hybridisation, which was carried out using a SureSelect All Exon V5 (no UTRs) bait set. Final exome-enriched libraries were confirmed using an Agilent Bioanalyser prior to being pooled in equimolar concentrations. The pool was sequenced on a HiSeq2500 across three lanes of rapid mode flow cells in a run configuration that generated paired-end 100-bp reads (Illumina Inc., USA). Raw data were demultiplexed and converted to FASTQ.gz format using CASAVA v1.8.2. To analyse each individual, sequence reads were first aligned to an indexed human reference genome (hg19) using bwa v0.6.2. Duplicate reads were removed using Picard v1.85 (<http://picard.sourceforge.net>), and SAM/BAM file processing was performed using samtools v0.1.18 (<http://samtools.sourceforge.net>). GATKLite v2.3-4 was used to perform indel realignment, base quality recalibration, variant calling with the UnifiedGenotyper and read-depth analysis (<http://www.broadinstitute.org/gatk/index.php>). Variant call format files were annotated with position, frequency (incorporating dbSNP and the

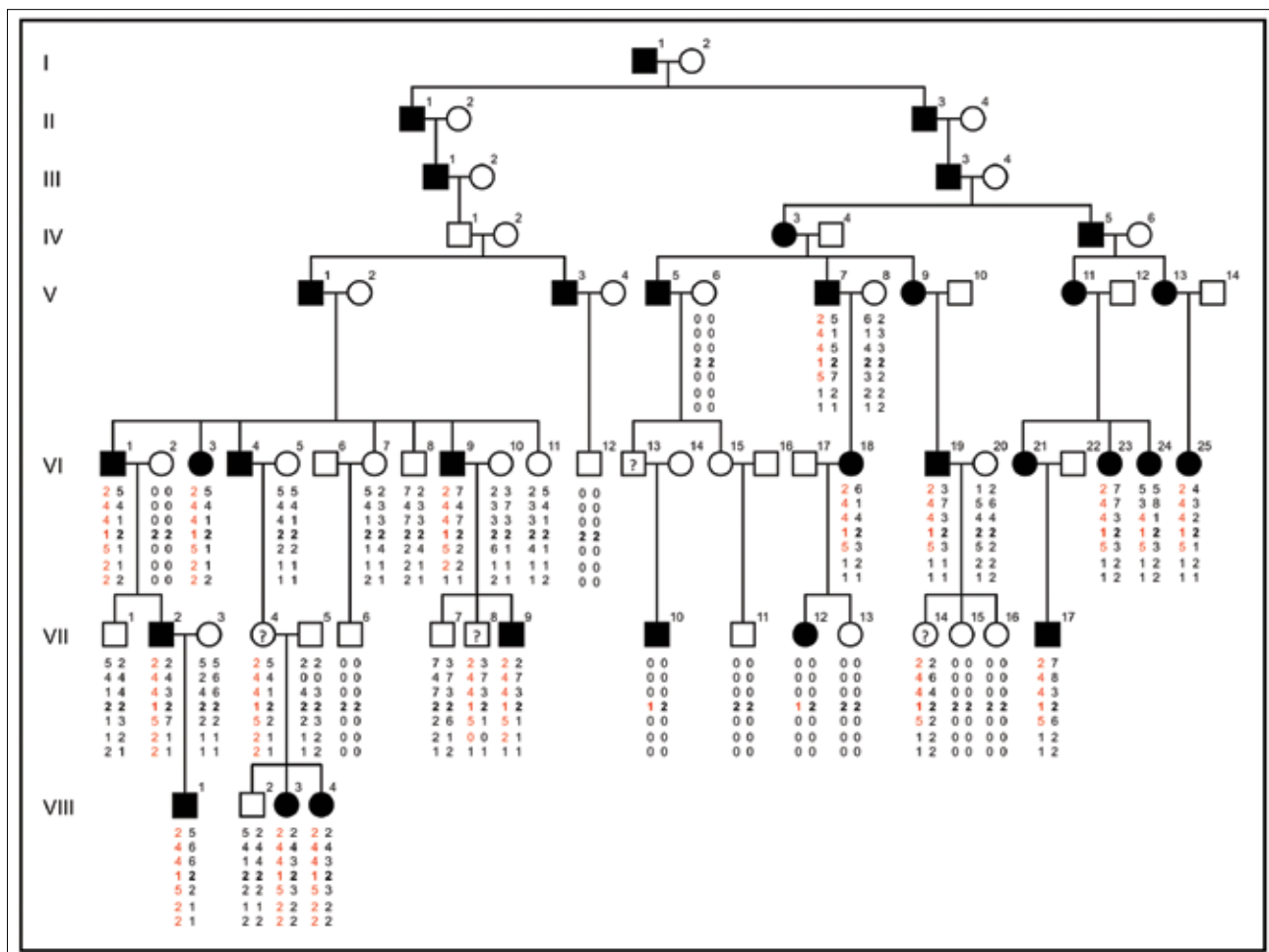


Fig. 1. The BHD pedigree, with disease-linked alleles highlighted in red. The smallest disease interval was identified in individual VI:24. Symbols containing a question mark (?) are probably non-penetrant carriers of the BHD allele. The marker order from top to bottom is: D4S1554, D4S1535, D4S171, UFSP2 c.868T>C, D4S2924, rs7663196 and D4S3051. The genotypes for D4S1554, D4S171, D4S2924 and D4S3051 are as previously published.^[3] The UFSP2 c.868 'C' allele is notated '1' and the 'T' allele as '2' (displayed in bold). The pedigree has been compressed to show only those individuals who contributed to the linkage analysis.

ESP5400 dataset) and *in silico* variant effect predictions using Alamut Batch v1.1.5 (<http://www.interactive-biosoftware.com/software/alamut/overview>). Interpretation of the annotated variant dataset was aided using AgileExomeFilter (<http://dna.leeds.ac.uk/agile>)^[6] and the variant-decision support software Alamut Visual. To assess exon copy number variation, FishingCNV v2.1 (<http://sourceforge.net/projects/fishingcnv/>) was used to compare the sequenced read depth of BHD individuals to a pooled reference control comprising 65 BHD disease-free patients.

Molecular assay for *UFSP2* mutation analysis

A 341-bp PCR amplicon spanning the *UFSP2* c.868T>C mutation was generated using forward primer dCATTAAACATAATTCGGGAGCA and reverse primer dTCTGCACCATGAGGTAACAAA. Each PCR reaction consisted of 1 µL of 15 ng/µL DNA, 2.5 µL of 10× PCR buffer, 1 µL of 50 mM MgCl₂, 1 µL of 10 mM dNTPs, 0.5 µL of BIOTAQ™ DNA polymerase (5 U/µL), 17 µL of nuclease-free water, 1 µL of 10 µM forward primer and 1 µL of 10 µM reverse primer (Bioline Reagents Ltd., UK and Eurogentec Ltd., UK). Thermocycling conditions consisted of 95°C for 3 minutes followed by 36 cycles of 95°C for 30 seconds, 55°C for 45 seconds, 72°C for 45 seconds, and a final extension at 72°C for 10 minutes. The *UFSP2* c.868T>C mutation introduced an NdeI (CATATG) restriction site that was detected by incubating PCR products with NdeI for 1 hour at 37°C and, if the mutation was present, generated 219-bp and 122-bp PCR fragments (NEB, UK). PCR products were resolved by tris-borate-EDTA agarose gel electrophoresis.

Functional analysis of the *UFSP2* mutation

A previously described expression construct for mouse *UFSP2* (NM_138668.2) was modified to incorporate the heterologous BHD mutation (c.844T>C, p.Tyr282His).^[7] The wild-type (WT) (*UFSP2* WT) and mutant (*UFSP2* BHD) constructs together with a GST-Ufm1-HA construct were expressed in *Escherichia coli* and purified. Purified proteases were incubated with GST-Ufm1-HA at 37°C for 1 hour and the products were separated by SDS-PAGE gel electrophoresis (Invitrogen Ltd., UK). Protein bands were visualised by staining with Coomassie blue R-250.

Results

Since the original description of BHD in a multigeneration SA family, the pedigree has been extended to include family members in Canada, New Zealand and the UK. A condensed pedigree is shown in Fig. 1. A recent addition to the pedigree was affected individual VII:10, who was diagnosed at 31 years of age while resident in the UK. He presented with severe hip joint discomfort and pain that had increased progressively since the age of 13 years. Consistent with a diagnosis of BHD, his symptoms were confined to his hip joints; he was of normal stature, had no evidence of other

deformity, and his general health was good. Specifically, he did not have joint hypermobility, cleft palate, or visual or hearing deficit. A skeletal survey revealed no evidence of abnormality other than in both of his hip joints, where the features were characteristic of BHD and associated OA was evident (Fig. 2). In keeping with the variable penetrance of the disorder, the progression of the clinical and radiological manifestations of VII:10 were less severe than those described for other family members. In addition, his father, although an obligate carrier of the BHD allele, was reported to be asymptomatic apart from mild joint discomfort at the age of 63 years.

BHD was previously linked to an 11-cM locus on chromosome 4q35.^[3] Subsequently, we fine-mapped the locus using proximal and distal markers D4S1535 and rs7663196, respectively. Recombination



Fig. 2. Anteroposterior radiographs of the pelvis of (A) an unaffected adult and (B) a 31-year-old affected man (VII:10). In (B) the shortening and broadening of the femoral neck, coxa vara and displacement of the femoral head in the acetabulum are characteristic of BHD. The joint space narrowing, presence of marginal osteophytes, cyst formation and sclerosis are indicative of degenerative OA, which is more evident on the right.

Table 1. Performance metrics for exome sequencing experiments

Sample ID	Total sequenced reads, <i>n</i>	Duplicate rate, %	Total aligned reads,* <i>n</i>	Proportion of reads mapped to coding exons, %	Variants located in coding exons and invariant splice sites, <i>n</i>
VII:9	295 153 748	43.5	163 283 145	58.9	20 750
VII:10	208 896 212	33.7	136 027 844	59.8	20 863
VI:24	239 488 548	57.4	99 711 251	62.5	20 591

*Following removal of duplicate sequences.

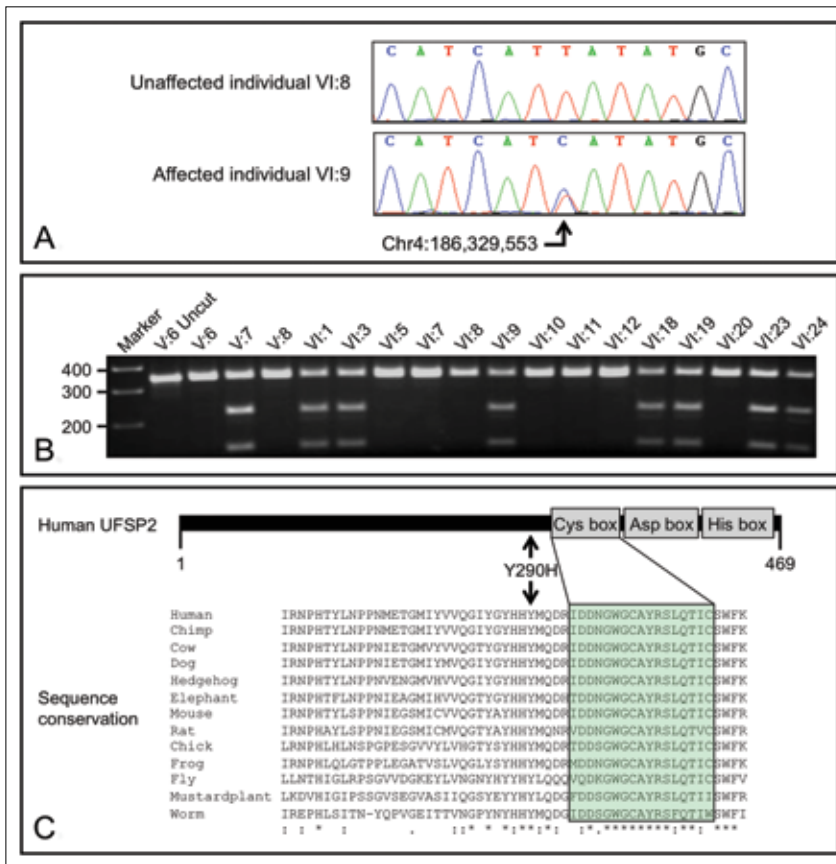


Fig. 3. (A) Sanger sequencing confirmation of the heterozygous *UFSP2* c.868T>C (NM_018359.3) variant. The chromosome 4 human genome co-ordinate corresponds to build hg19. (B) A molecular assay was established for cascade screening of the extended family. A 341-bp PCR fragment was amplified and restricted with *NdeI*. PCR fragments of 219 bp and 122 bp indicate the presence of the mutant allele. (C) Alignment of partial protein sequences of *UFSP2* for a range of multicellular organisms. The tyrosine (Y) residue at position 290 is highly conserved and located in close proximity to the conserved protease Cys domain.

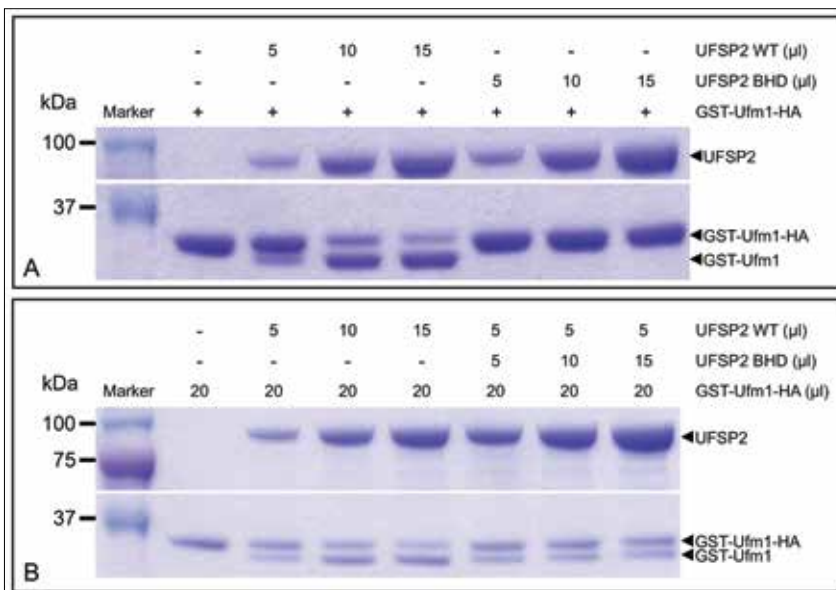


Fig. 4. In vitro biochemical analysis of *UFSP2* function. (A) Increasing concentrations of purified *UFSP2* WT correlated with increased cleavage of the HA tag from GST-Ufm1-HA. In contrast, even at high concentrations the enzymatic activity of *UFSP2* BHD was abolished. (B) Increasing concentrations of *UFSP2* BHD were incubated with constant concentrations of *UFSP2* WT and GST-Ufm1-HA. No evidence for a dominant-negative effect on the cleavage of GST-Ufm1-HA by *UFSP2* WT was observed. ((-) = absence of protein.)

events (see individual VI:24, Fig. 1) reduced the size of the linked region from 3.34 Mb to 1.33 Mb and decreased the number of candidate genes from 25 to 16. To identify the BHD mutation, systematic sequence analysis of the coding exons and intron splice sites of *CASP3*, *LRP2BP* and *UFSP2* located in the linked region was conducted. This analysis identified a single novel heterozygous variant, c.868T>C, in *UFSP2* exon 8 (NM_018359.3) (Fig. 3, A).

To ensure that no additional candidate disease-causing variants were present within the linked interval, whole-exome sequencing was performed on three distantly related individuals (VII:9, VII:10 and VI:24). Exome sequencing performance metrics (Table 1) demonstrated that the hybridisation capture efficiencies, as determined by the percentage of sequence reads mapping to each exome, were comparable to those reported elsewhere.^[8] To determine the proportion of target nucleotides that were sufficiently well sequenced to exclude the presence of non-reference nucleotides, read-depth analysis was performed. For two of the three sequenced individuals, >98% of target bases had a read depth that was ≥30×, which is a conservative read-depth metric that has been widely adopted by the diagnostic sequencing community^[9] (Table 2).

Variants with a reported minor allele frequency <0.2 located within the fine-mapped BHD locus (Chr4: 185 235 750 - 186 570 521) were assessed for disease-related pathogenicity. This yielded a filtered dataset comprising one variant in individual VII:9, one in VII:10 and four in VI:24. The single variant found in common between the affected individuals was the *UFSP2* c.868T>C variant that had been identified by the initial sequencing screen. This c.868T>C variant was not identified in publicly accessible variant databases including dbSNP and the ESP5400 dataset. In addition, exon-based copy number analysis did not identify any dosage variants within the linked interval in any of the three individuals.

To explore familial segregation, all available members of the BHD family were genotyped for presence of the *UFSP2* c.868T>C variant using PCR followed by restriction enzyme digestion with *NdeI* (see Fig. 3, B for a representative genotyping gel and Fig. 1 for the genotypes). All 17 individuals with a confirmed diagnosis of BHD were heterozygous for the c.868T>C mutation. There was evidence of non-penetrance in one obligate carrier (VII:4), and the mutation was found in two individuals (VII:8 and VII:14) in whom BHD had not been excluded or confirmed owing to their young age at time

of consultation. Linkage analysis between BHD and the c.868T>C mutation generated a two-point (single marker) LOD score of 10.4 (at $\theta = 0.0$ and 80% penetrance).

The *UFSP2* c.868T>C variant predicts a tyrosine to histidine substitution at position 290 of the encoded protein, which is highly conserved across multiple species (Fig. 3, C). The effect of the p.Tyr290His substitution on *UFSP2* protease activity was assayed *in vitro* as previously described by incubating recombinant purified mouse *UFSP2* with *Ufm1* that had been modified by the addition of an N-terminal GST tag and a C-terminal HA tag.^[7] For this purpose, the heterologous mutation (c.844T>C, p.Tyr282His in the mouse) was inserted into the *UFSP2* WT construct and expressed, and both the WT and *UFSP2* BHD proteases were purified. Increasing concentrations of *UFSP2* WT resulted in increased cleavage of the GST-*Ufm1*-HA tag (Fig. 4, A). In contrast, *UFSP2* BHD did not cleave GST-*Ufm1*-HA, even at high concentrations. The processing activity of *UFSP2* WT was not affected in the presence of increasing concentrations of *UFSP2* BHD, indicating that *UFSP2* BHD does not exert a dominant-negative effect at the level of *Ufm1* processing *in vitro* (Fig. 4, B).

Discussion

BHD is a unique Mendelian disorder that has to date been described in only a single SA family of European origin.^[2] The size and structure of the pedigree enabled the initial mapping of the linked locus to Chr4q35.^[3] However, this locus did not contain any obvious candidate genes. To reduce the burden of variant interpretation following mutation screening, we fine-mapped the region and thereby reduced the number of candidate genes from 25 to 16. Initial mutation screening of genes located within the locus by Sanger sequencing identified a unique *UFSP2* c.868T>C variant. This variant was identified in all individuals tested who had a confirmed diagnosis of BHD, but there was evidence of non-penetrance of BHD in the pedigree. The segregation of this variant with BHD generated a LOD score of 10.4 (at $\theta = 0.0$ and 80% penetrance).

As no other forms of skeletal dysplasia had been mapped to the linked locus on Chr4q35, no other families with BHD had been reported and the *UFSP2* c.868T>C variant appeared to be unique to the BHD family, independent verification that the variant was indeed the BHD mutation was not possible. We therefore undertook comprehensive exome analysis of the linked allele in three distantly related individuals. This analysis confirmed that

Table 2. Read-depth analysis for coding and invariant splice-site nucleotides within the BHD-linked locus*

Gene	Start	Stop	Strand	Annotated transcript	Exons, n	Coding nucleotides, n	VII:9			VII:10			VI:24		
							15%, %	30%, %	Mean, n	15%, %	30%, %	Mean, n	15%, %	30%, %	Mean, n
<i>IRF2</i>	185 395 726	185 308 876	-	NM_002199.3	9	1 047	98.8	95.9	181	98.9	95.5	161	98.6	93.4	129
<i>CASP3</i>	185 570 629	185 548 850	-	NM_004346.3	8	831	100.0	85.1	121	98.8	78.7	112	80.0	52.8	67
<i>PRIMPOL</i>	185 570 767	185 616 113	+	NM_1522683.2	14	1 680	98.0	96.4	239	97.7	95.0	186	96.3	89.9	133
<i>CENPU</i>	185 615 219	185 655 286	-	NM_024629.3	13	1 254	100.0	99.8	107	100.0	99.3	89	98.9	78.8	51
<i>ACSL1</i>	185 747 268	185 676 749	-	NM_001995.2	21	2 094	100.0	99.1	226	100.0	99.0	189	100.0	98.4	159
<i>HELT</i>	185 940 083	185 941 926	+	NM_001029887.1	4	981	100.0	95.5	113	100.0	100.0	113	82.5	76.5	73
<i>SLC25A4</i>	186 064 417	186 071 538	+	NM_001151.3	4	894	100.0	98.7	196	100.0	100.0	172	98.6	96.5	142
<i>CFAP97</i>	186 080 816	186 125 182	-	NM_020827.1	5	1 596	100.0	100.0	302	100.0	100.0	245	100.0	98.6	146
<i>SNX25</i>	186 131 284	186 285 120	+	NM_031953.2	19	2 520	100.0	96.6	194	99.8	95.0	162	96.4	87.4	113
<i>LRP2BP</i>	186 300 152	186 285 032	-	NM_018409.3	8	1 041	100.0	100.0	218	100.0	100.0	178	100.0	100.0	133
<i>ANKRD37</i>	186 317 840	186 321 390	+	NM_181726.2	5	474	100.0	100.0	281	100.0	100.0	211	100.0	95.2	174
<i>UFSP2</i>	186 347 139	186 320 694	-	NM_018359.3	12	1 407	100.0	100.0	217	100.0	100.0	186	96.3	84.0	113
<i>C4orf47</i>	186 350 545	186 370 821	+	NM_001114357.1	7	927	100.0	100.0	269	100.0	100.0	222	100.0	99.0	151
<i>CCDC110</i>	186 392 913	186 366 338	-	NM_152775.3	7	2 499	100.0	100.0	128	100.0	100.0	113	50.1	26.2	29
<i>PDLIM3</i>	186 456 712	186 421 815	-	NM_014476.4	8	1 092	100.0	100.0	239	100.0	100.0	204	100.0	100.0	160
<i>SORBS2*</i>	186 877 870	186 506 598	-	NM_021069.4	21	3 300	100.0	100.0	225	100.0	100.0	198	97.0	95.7	165
Mean					10	1 477	99.8	98.3	203	99.7	98.0	171	91.7	83.7	120

*Chr4:185,235,750 - 186,570,521, co-ordinates reported according to hg19.
*Read depth calculated for linked target nucleotides only.

there were no other candidate disease-causing mutations in linkage disequilibrium with *UFSP2* c.868T>C, suggesting that this variant is the BHD mutation. The identification of this mutation will enable diagnostic accuracy of BHD, aid predictive testing of at-risk family members, and underpin future longitudinal studies aimed at correlating the progression of radiological features with the onset of clinical symptoms. The cysteine protease encoded by *UFSP2* is highly conserved and is homologous to a second cysteine protease, *UFSP1*, that has a similar C-terminal domain but a shorter N-terminal domain.^[7] Neither protease shares sequence homology to other identified proteases. *UFSP1* and *UFSP2* have been shown previously to cleave two C-terminal residues (S101 and C102) from the protein ubiquitin-fold modifier 1 (*Ufm1*).^[7] *Ufm1* is a post-translational modifier protein that is classified as a member of the family of ubiquitin-like proteins (Ubls). Following modification through an E1-E2-E3 multienzyme cascade, *Ufm1* is attached to its target protein. The conjugation and deconjugation of target proteins by Ubls modulates their function and thereby the regulation of cellular processes.^[10] In the *Ufm1* modification pathway, *Ufm1* is activated by either *UFSP1* or *UFSP2* to expose a C-terminal glycine residue.^[7] Activated *Ufm1* then reacts with *Uba5* (E1-like enzyme) and is transferred to *Ufc1* (E2-like enzyme) before being transferred to its target protein by *Ufl1* (E3-like enzyme). At present, the full repertoire of *Ufm1* target proteins remains to be identified. Although there are currently no reported studies detailing the tissue specificity or time course of *UFSP2* expression, analysis of multiple mouse tissues has revealed that *Ufm1* expression is abundant in protein-secreting cells.^[11] Further, there is increasing evidence that the *Ufm1* pathway has a role in the regulation of endoplasmic reticulum (ER) stress responses.^[12] Interestingly, ER stress is a recognised pathogenic mechanism underlying a number of forms of osteochondrodysplasia, and the ER stress response has been proposed as a therapeutic target for such disorders.^[13] This reported evidence therefore suggests a putative mechanistic link between the *Ufm1/UFSP2* pathway and the BHD phenotype.

Alignment of multiple *UFSP2* protein sequences from different multicellular organisms, including plants and animals, demonstrated that the p.Tyr290 residue has been conserved for at least 1.6 billion years.^[14] In an *in vitro* assay we found that purified mouse *UFSP2* containing the mouse equivalent of the p.Tyr290His BHD substitution did not cleave *Ufm1*, even at high concentrations. Lack

of activity of the mutated protease is consistent with predictions made from the crystal structure of *UFSP2* that the p.Tyr290 amino acid is a crucial residue within the *UFSP2* active site.^[15] In this *in vitro* assay, however, the mutated *UFSP2* did not appear to exert a dominant-negative effect. Confirmation of the functional consequences of the BHD mutation on the *Ufm1/UFSP2* pathway therefore requires further investigation.

Conclusion

In summary, genetic and functional data support that *UFSP2* c.868T>C is the mutation causing BHD. The facile PCR-based assay that we have described could be used to confirm the diagnosis of BHD, or for presymptomatic testing of members of the extended BHD family.

References

- Warman ML, Cormier-Daire V, Hall C, et al. Nosology and classification of genetic skeletal disorders: 2010 revision. *Am J Med Genet A* 2011;155A(5):943-968. [http://dx.doi.org/10.1002/ajmg.a.33909]
- Cilliers, HJ, Beighton P. Beukes familial hip dysplasia: An autosomal dominant entity. *Am J Med Genet* 1990;36(4):386-390. [http://dx.doi.org/10.1002/ajmg.1320360403]
- Roby P, Eyre S, Worthington J, et al. Autosomal dominant (Beukes) premature degenerative osteoarthropathy of the hip joint maps to an 11-cM region on chromosome 4q35. *Am J Hum Genet* 1999;64(3):904-908. [http://dx.doi.org/10.1086/302291]
- Ingvarsson T, Stefánsson SE, Gulcher JR, et al. A large Icelandic family with early osteoarthritis of the hip associated with a susceptibility locus on chromosome 16p. *Arthritis Rheum* 2001;44(11):2548-2555. [http://dx.doi.org/10.1002/1529-0131(200111)44:11%3C2548::AID-ART435%3E3.0.CO;2-S]
- Mabuchi A, Nakamura S, Takatori Y, Ikegawa S. Familial osteoarthritis of the hip joint associated with acetabular dysplasia maps to chromosome 13q. *Am J Hum Genet* 2006;79(1):163-168. [http://dx.doi.org/10.1086/505088]
- Watson CM, Crinnion LA, Morgan JE, et al. Robust diagnostic genetic testing using solution capture enrichment and a novel variant-filtering interface. *Hum Mutat* 2014;35(4):434-441. [http://dx.doi.org/10.1002/humu.22490]
- Kang SH, Kim GR, Seong M, et al. Two novel ubiquitin-fold modifier 1 (*Ufm1*)-specific proteases, *UFSP1* and *UFSP2*. *J Biol Chem* 2007;282(8):5256-5262. [http://dx.doi.org/10.1074/jbc.M610590200]
- Bodi K, Perera AG, Adams PS, et al. Comparison of commercially available target enrichment methods for next-generation sequencing. *J Biomol Tech* 2013;24(2):73-86. [http://dx.doi.org/10.1074/jbt.13-2402-002]
- Weiss MM, van der Zwaag B, Jongbloed JD, et al. Best practice guidelines for the use of next-generation sequencing applications in genome diagnostics: A national collaborative study of Dutch genome diagnostic laboratories. *Hum Mutat* 2013;34(10):1313-1321. [http://dx.doi.org/10.1002/humu.22368]
- Daniel J, Liebau E. The *ufm1* cascade. *Cells* 2014;3(2):627-638. [http://dx.doi.org/10.3390/cells3020627]
- Lemaire K, Moura RF, Granvik M, et al. Ubiquitin fold modifier 1 (UFM1) and its target *UFBP1* protect pancreatic beta cells from ER stress-induced apoptosis. *PLoS One* 2011;6(4):e18517. [http://dx.doi.org/10.1371/journal.pone.0018517]
- Zhang Y, Zhang M, Wu J, Lei G, Li H. Transcriptional regulation of the *Ufm1* conjugation system in response to disturbance of the endoplasmic reticulum homeostasis and inhibition of vesicle trafficking. *PLoS One* 2012;7(11):e48587. [http://dx.doi.org/10.1371/journal.pone.0048587]
- Boot-Handford RP, Briggs MD. The unfolded protein response and its relevance to connective tissue diseases. *Cell Tissue Res* 2010;339(1):197-211. [http://dx.doi.org/10.1007/s00441-009-0877-8]
- Wang DY, Kumar S, Hedges SB. Divergence time estimates for the early history of animal phyla and the origin of plants, animals and fungi. *Proc Biol Sci* 1999;266(1415):163-171. [http://dx.doi.org/10.1098/rspb.1999.0617]
- Ha BH, Jeon YJ, Shin SC, et al. Structure of ubiquitin-fold modifier 1-specific protease *UFSP2*. *J Biol Chem* 2011;286(12):10248-10257. [http://dx.doi.org/10.1074/jbc.M110.172171]

Accepted 11 June 2014.